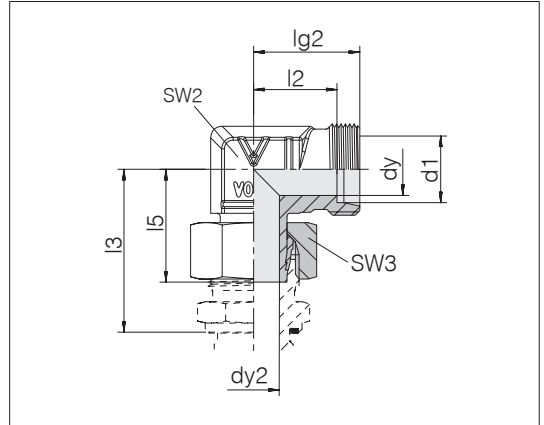


# Swivel elbows

Tube socket pre-assembled

Tube coupling: 24° in acc. with ISO 8434-1



Series	Tube OD	Pressure	dy	lg2	l2	l5	SW2	SW3	kg/100 ca.	Order-No.	Designation
L	6	PN 315	4	19	12	26	12	14	2.8	0158032007	24-SWE-L6
L	8	PN 315	6	21	14	27.5	12	17	3.8	0158082007	24-SWE-L8
L	10	PN 315	8	22	15	29	14	19	5.0	0158132007	24-SWE-L10
L	12	PN 315	10	24	17	29.5	17	22	6.6	0158182007	24-SWE-L12
L	15	PN 315	12	28	21	32.5	19	27	11.5	0158232007	24-SWE-L15
L	18	PN 315	15	31	23.5	35.5	24	32	17.8	0158282007	24-SWE-L18
L	22	PN 160	19	35	27.5	38.5	27	36	23.5	0158332007	24-SWE-L22
L	28	PN 160	24	38	30.5	41.5	36	41	34.1	0158382007	24-SWE-L28
L	35	PN 160	30	45	34.5	51	41	50	57.7	0158432007	24-SWE-L35
L	42	PN 160	36	51	40	56	50	60	87.2	0158482007	24-SWE-L42
S	6	PN 630	4	23	16	27	12	17	4.4	0158532007	24-SWE-S6
S	8	PN 630	5	24	17	27.5	14	19	5.9	0158582007	24-SWE-S8
S	10	PN 630	7	25	17.5	30	17	22	8.3	0158632007	24-SWE-S10
S	12	PN 630	8	29	21.5	31	17	24	10.5	0158682007	24-SWE-S12
S	14	PN 630	10	30	22	35	19	27	14.6	0158732007	24-SWE-S14
S	16	PN 400	12	33	24.5	36.5	24	30	19.9	0158782007	24-SWE-S16
S	20	PN 400	16	37	26.5	44.5	27	36	29.4	0158832007	24-SWE-S20
S	25	PN 400	20	42	30	50	36	46	54.1	0158882007	24-SWE-S25
S	30	PN 400	25	49	35.5	55	41	50	76.2	0158932007	24-SWE-S30
S	38	PN 315	32	57	41	63	50	60	118.9	0158982007	24-SWE-S38

Example for comp. :  
EWW06LOMD

